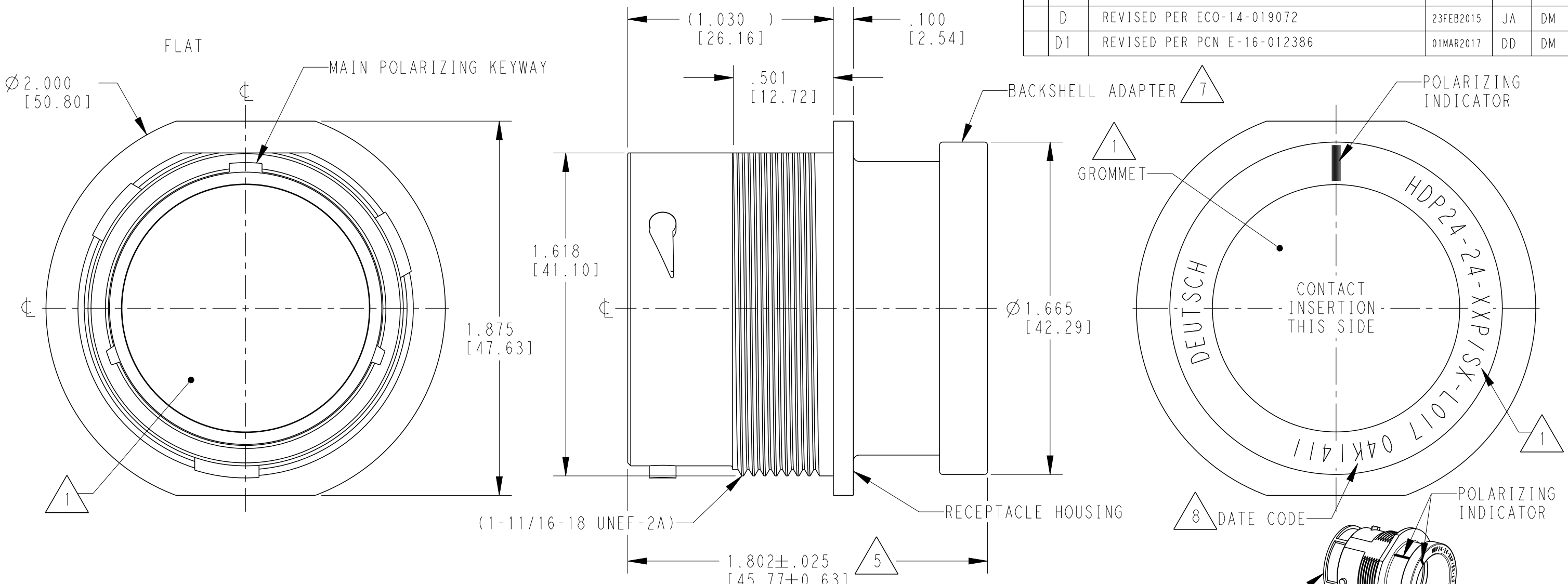


THIS DRAWING IS UNPUBLISHED. RELEASED FOR PUBLICATION 2015. © COPYRIGHT 1998 BY TE CONNECTIVITY ALL RIGHTS RESERVED.

LOC	DIST	REVISIONS			
P	LTR	DESCRIPTION	DATE	DWN	APVD
	B	REVISED PER E.O. P17811	24JUL2002	XS	RDR
	C	REVISED PER E.O. P21412	20JUL2012	AM	RDR
	D	REVISED PER ECO-14-019072	23FEB2015	JA	DM
	D1	REVISED PER PCN E-16-012386	01MAR2017	DD	DM



- 5 NOTED DIMENSION DOES NOT INCLUDE GROMMET PROTRUSION.
- 4 MATERIAL: RECEPTACLE HOUSING: PA66 GF10 (BLACK)
BACKSHELL ADAPTER: PA66 GF10 (GREEN, GRAY, BLUE)
GROMMET: SILICONE (ORANGE-RED)
- 7 PART MODIFICATION: BACKSHELL ADAPTER ACCEPTS BACKSHELLS:
2428-004-2405, 2428-008-2405
2428-010-2405, 2428-011-2405
- 8 DATE CODE: IDENTIFIES THE YEAR, MONTH, DAY AND HOUR OF ASSEMBLY.
YEAR: FIRST AND SECOND DIGITS. (14 = 2014)
MONTH: THRID DIGIT, EXCLUDING I. A = JAN., B = FEB., C = MARCH... (K = OCTOBER)
DAY: FOURTH AND FIFTH DIGITS (14 = 14th DAY)
HOUR: SIXTH AND SEVENTH DIGITS (11 = 11AM)
- 3 SEE 0425-021-0000 APPLICATION SPECIFICATION
A. RECOMMENDED WIRE INSULATION RANGE
B. CONTACT REMOVAL TOOLS
C. RECOMMENDED MOUNTING HOLE & PANEL THICKNESS
D. MOUNTING HARDWARE & MOUNTING TORQUE
- 6. RECEPTACLE IS SUPPLIED WITH DUST CAP (2415-001-2405).

2. THIS RECEPTACLE MATES WITH HDP26-24-XXP/SX-XXXX PLUG
 X = SEAL TYPE (N,T,E)
 XX = INSERT ARRANGEMENT
 XXXX = MODIFICATION

1 SEE CUSTOMER DRAWING, 0425-014-2400 FOR AVAILABLE INSERT ARRANGEMENTS AND PART NUMBERS.

NOTES:

THIS DRAWING IS A CONTROLLED DOCUMENT.		DWN J. WOODY 115APR1998	TE Connectivity	
DIMENSIONS: INCHES [mm]		CHK PAUL BURKE 19JUL2002		
TOLERANCES UNLESS OTHERWISE SPECIFIED:		APVD STEVE BEARD 23JUL2002	NAME RECEPTACLE, THREADED SIZE 24, -L017 MOD HDP SERIES	
0 PLC ± 1 PLC ± 2 PLC ± 3 PLC ±.015 [0.38] 4 PLC ± ANGLES ±0°30'0"		PRODUCT SPEC 0425-021-0000	SIZE A3 CAGE CODE 4AFU8 DRAWING NO. HDP24-24-XXP/SX-L017 RESTRICTED TO -	
MATERIAL 4		APPLICATION SPEC 3	SCALE 2:1 SHEET 1 OF 1 REV D1	
FINISH N/A		WEIGHT	Customer Drawing	